

ADDITIONAL
INFORMATION

www.upmprofi.com
www.upmprofi.de
www.upmprofi.dk
www.upmprofi.fi
www.upmprofi.fr
www.upmprofi.es
www.upmprofi.it
www.upmprofi.nl
www.upmprofi.no
www.upmprofi.se

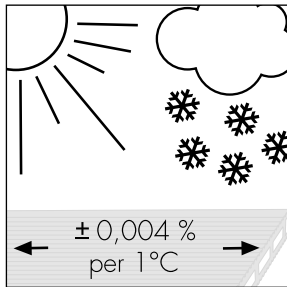
UPM ProFi® Deck Range

UPM ProFi Deck 150, UPM ProFi Terra 127, UPM ProFi Patio 120

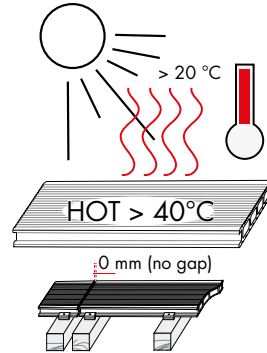
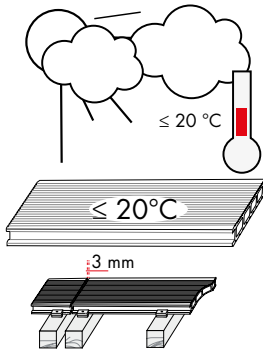
Installation Instructions/Verlegeanleitung/
Instructions de montage/Installatie-instructies/Asennusohje/Installationsanvisningar



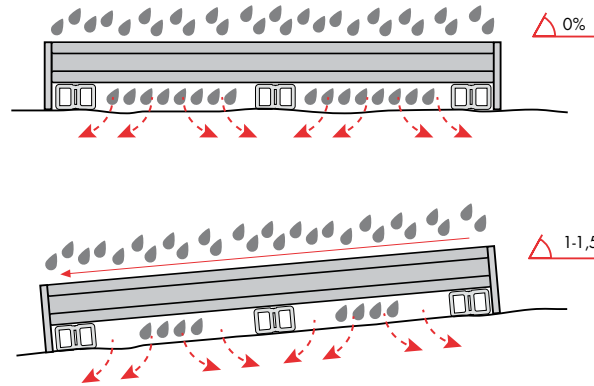
THERMAL EXPANSION



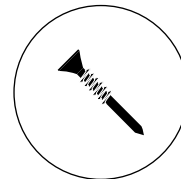
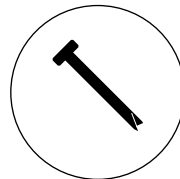
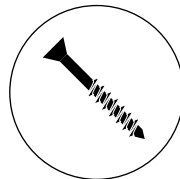
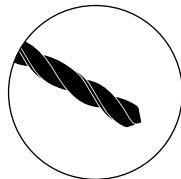
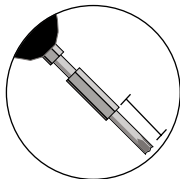
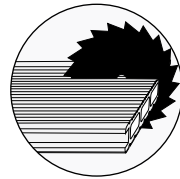
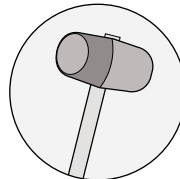
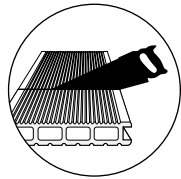
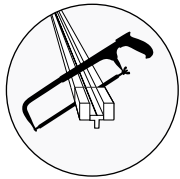
e.g. 40° C change in temperature = 4 mm expansion/contraction in 4 m board



INCLINATION



TOOLS



min. 25 mm

4 mm

4x40 mm

(for Alu Support Rail)

(for direct fixing on Alu Support Rail)



LOW MAINTENANCE



DURABLE & UV RESISTANT



HARD WEARING



0% INCLINATION

Δ0%



SPLINTER FREE & WARM TO TOUCH



HIGH FRICTION SURFACE



QUICK TO INSTALL



EASY TO WORK



HELPING THE ENVIRONMENT

>50%

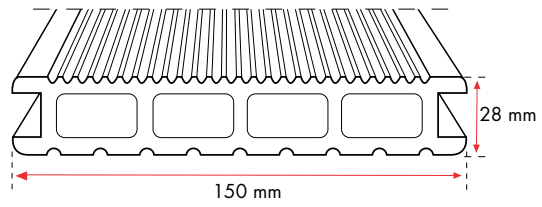


Advanced recycled raw material

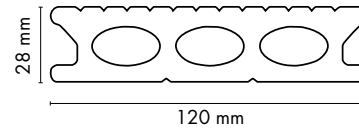


MEASURES

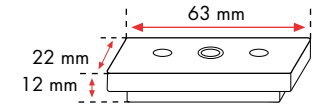
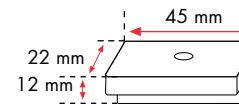
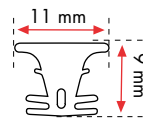
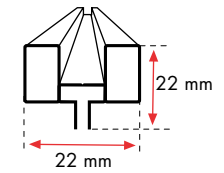
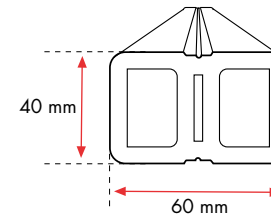
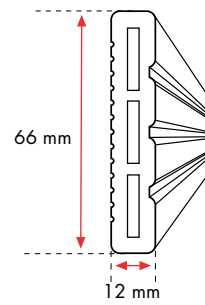
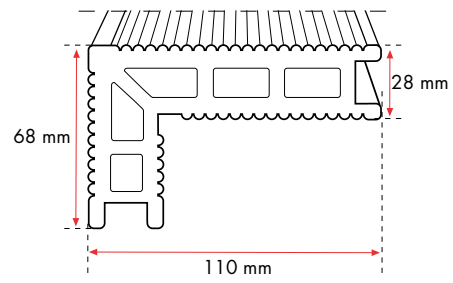
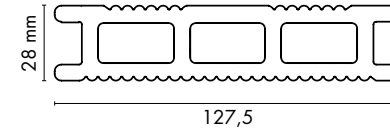
UPM ProFi Deck 150



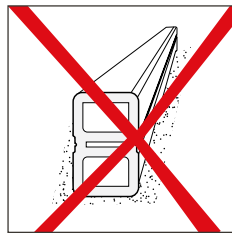
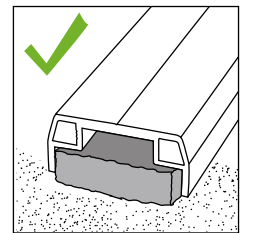
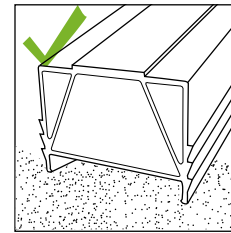
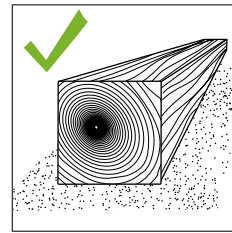
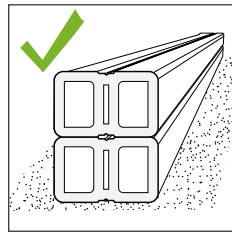
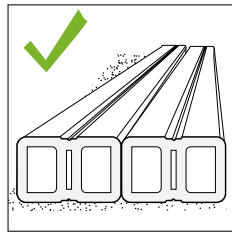
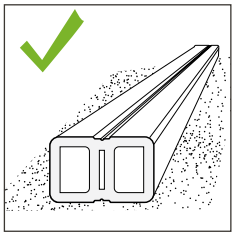
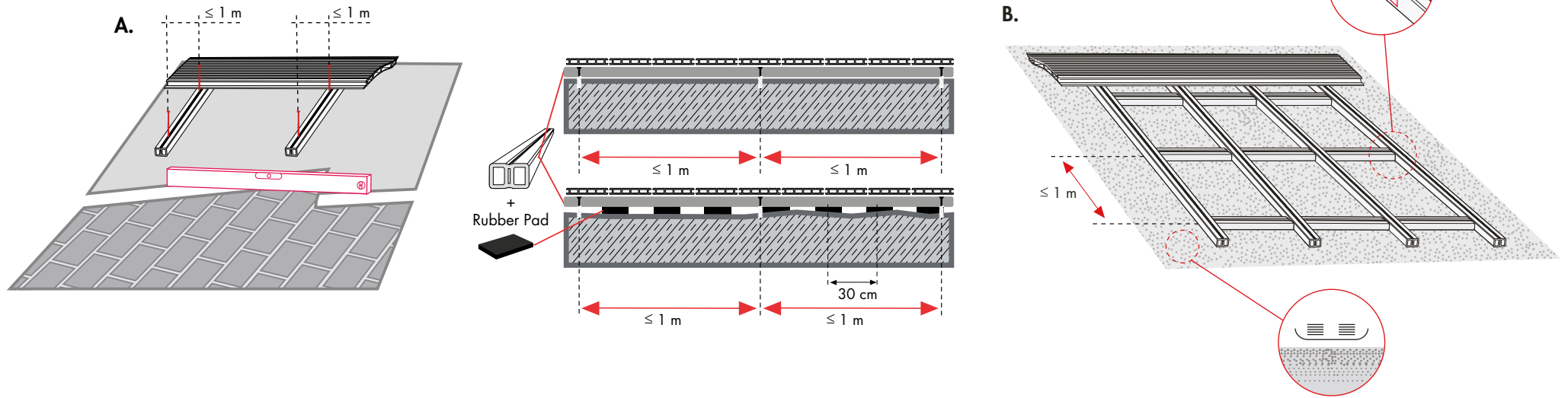
UPM ProFi Patio 120



UPM ProFi Terra 127



GROUND



Roof Terrace: **Ins**



A

Scr

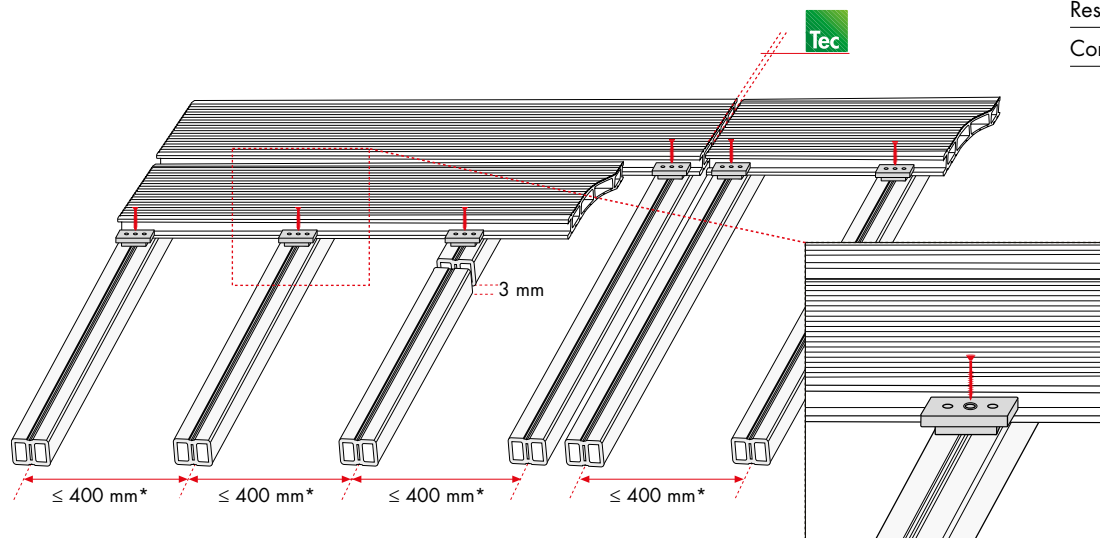
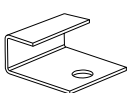
T-CLIP Small



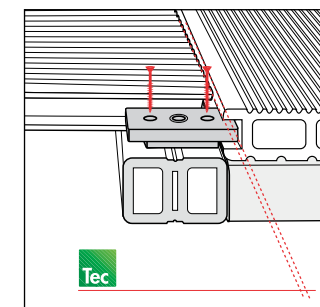
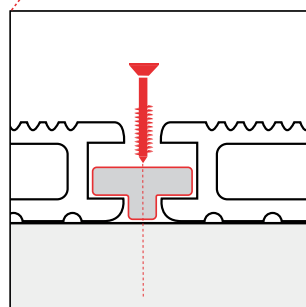
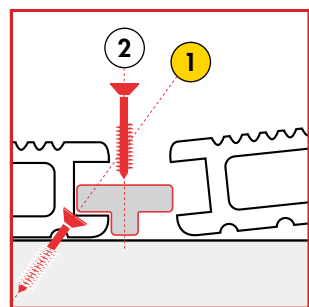
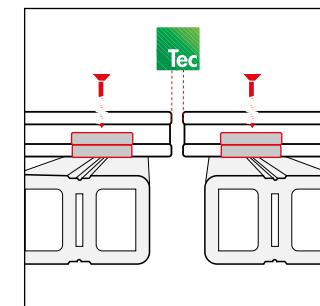
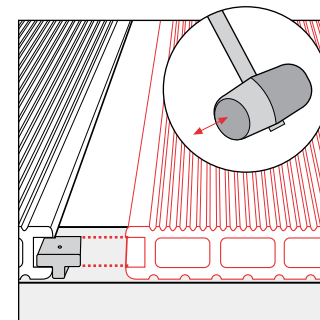
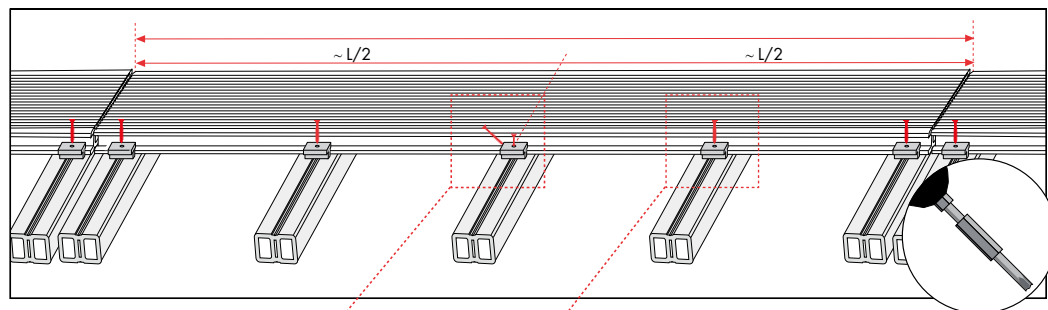
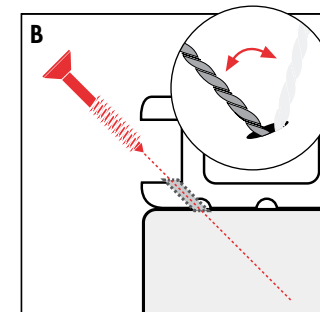
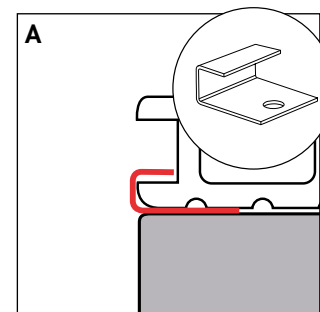
T-CLIP Large



DESIGN
START CLIP



*JOIST SPACING (a)	ProFi Deck 150	Terra 127	Patio 120
Residential	40 cm	35 cm	35 cm
Commercial	40 cm	-	30 cm



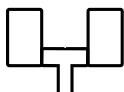
! 1 1x in the middle of each board



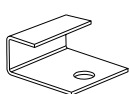
B

Scr

DESIGN
ALU RAIL



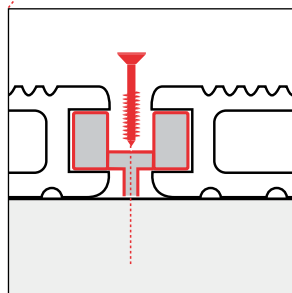
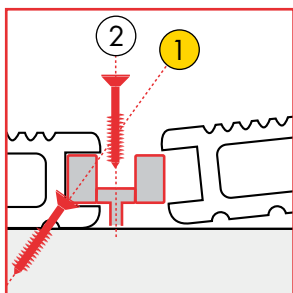
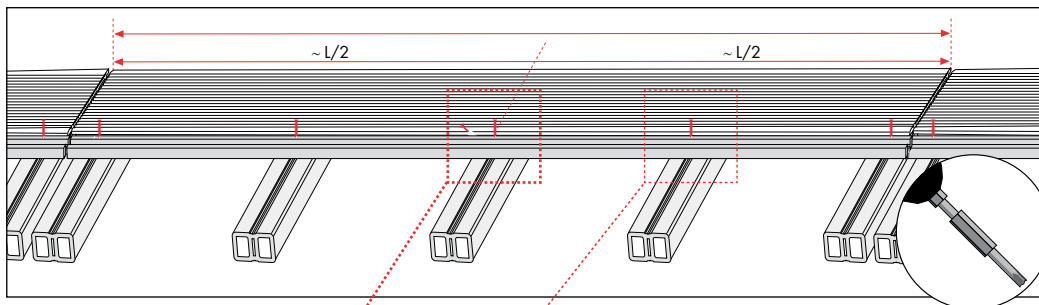
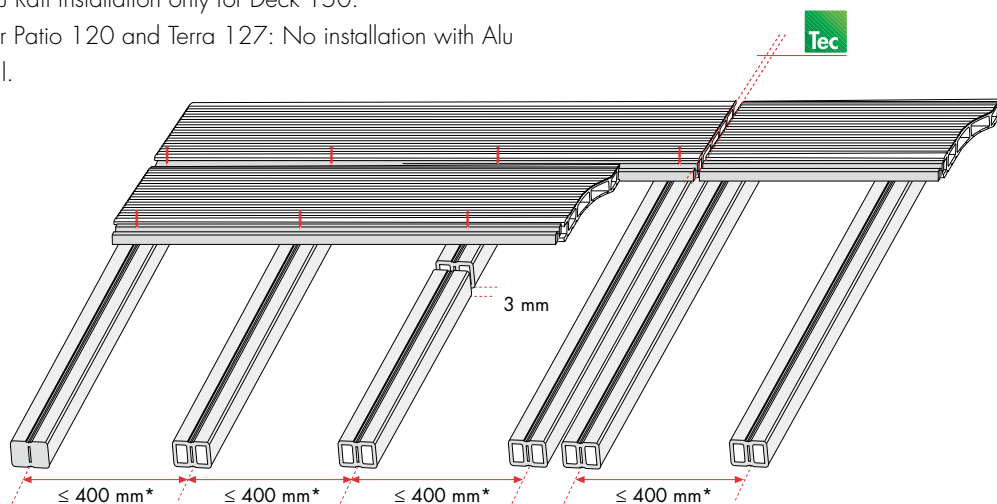
DESIGN
START CLIP



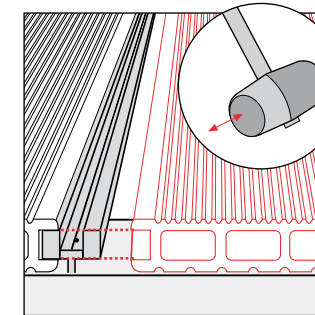
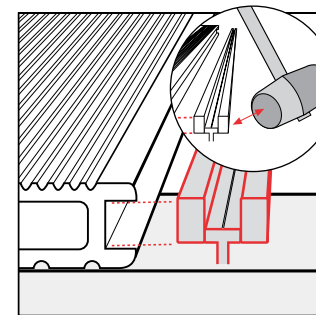
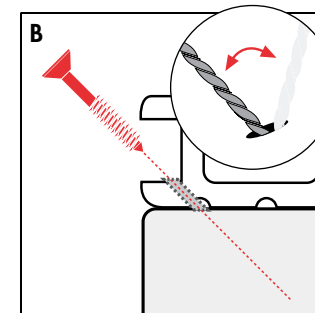
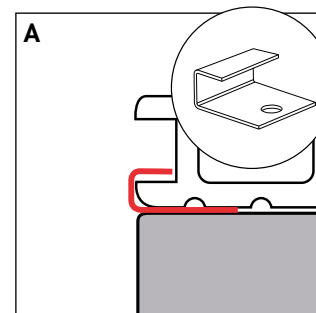
Hint:

Alu Rail installation only for Deck 150.

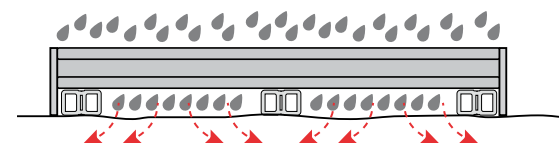
For Patio 120 and Terra 127: No installation with Alu rail.



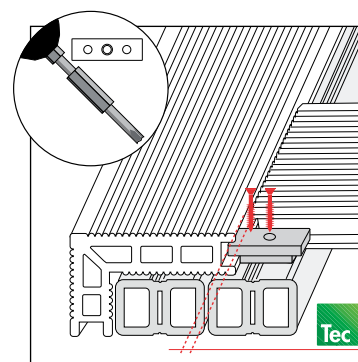
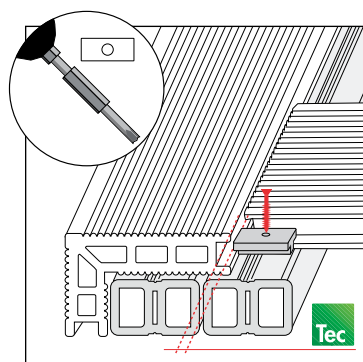
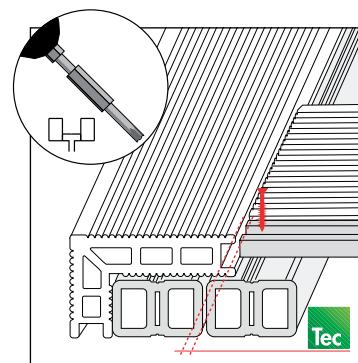
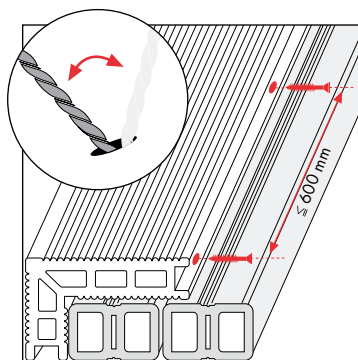
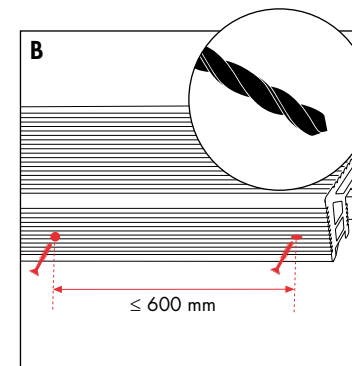
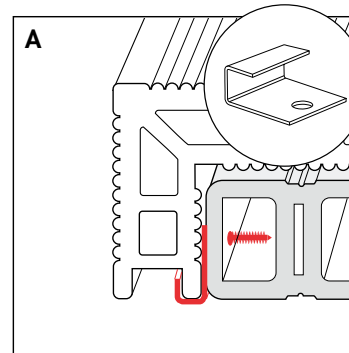
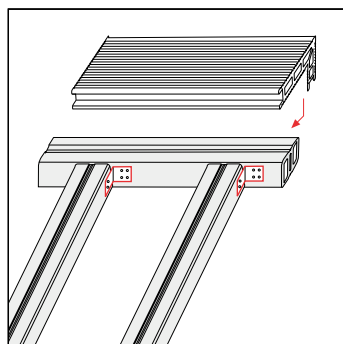
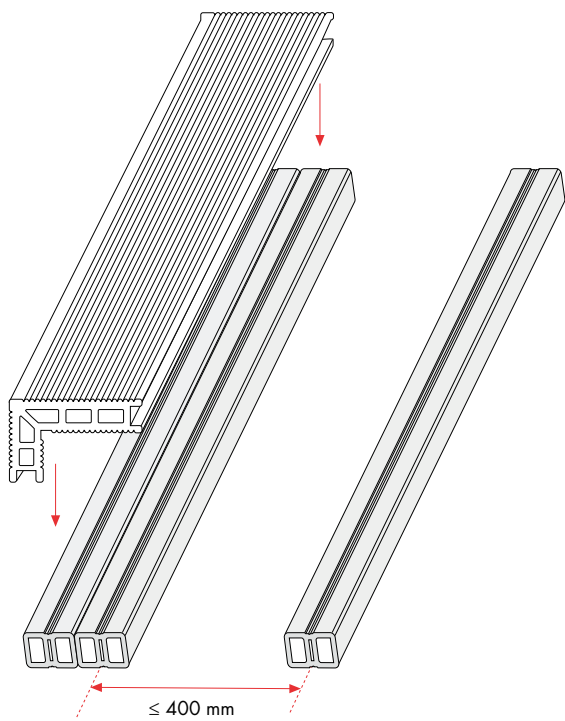
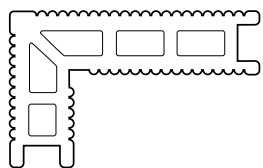
! 1x in the middle of each board



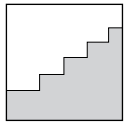
VENTILATION



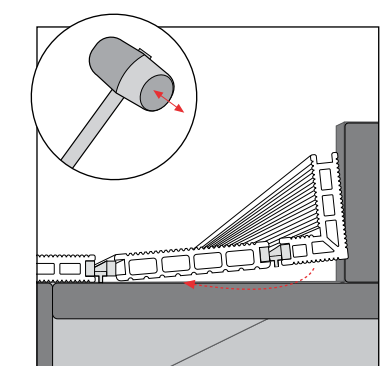
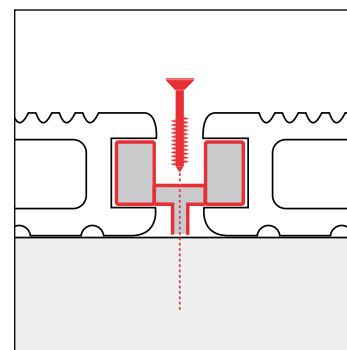
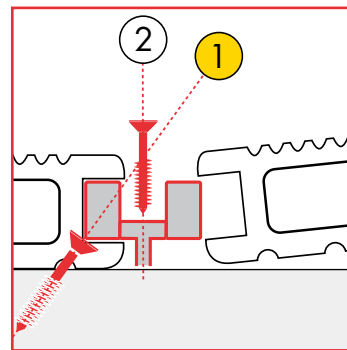
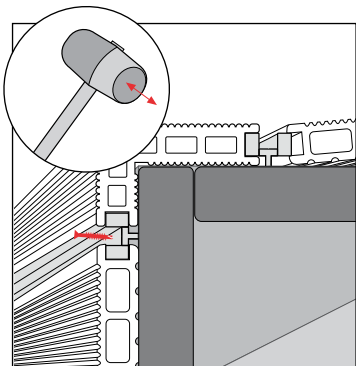
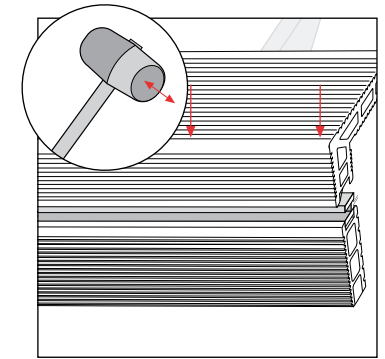
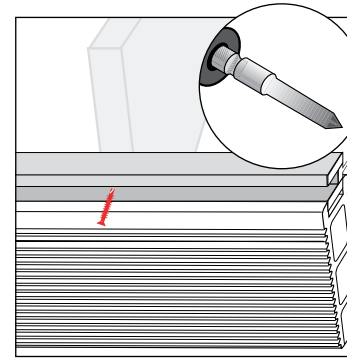
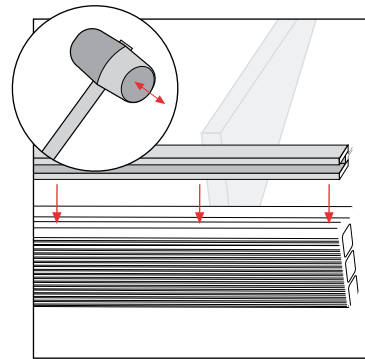
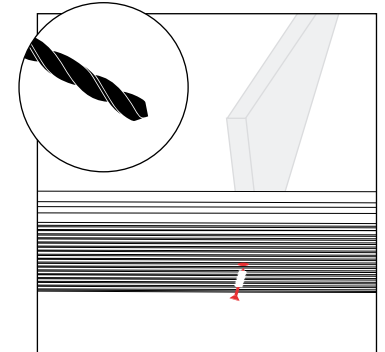
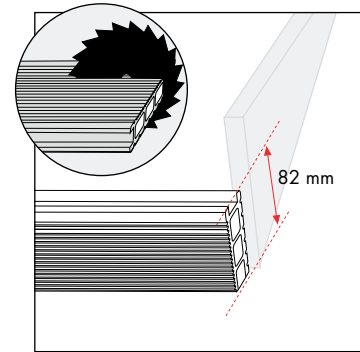
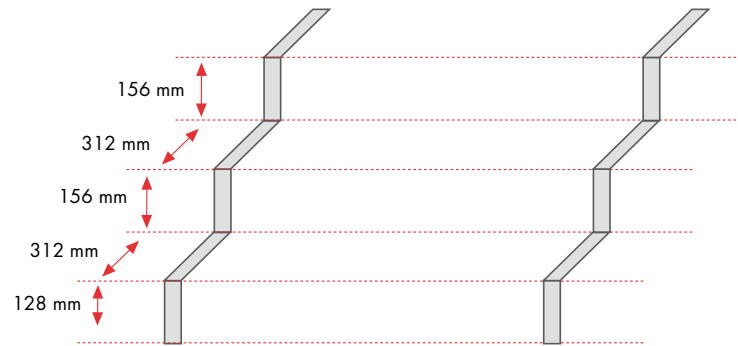
FINISHING UPM PROFI DECK 150
RAIL STEP



UPM PROFI DECK 150
STAIRS



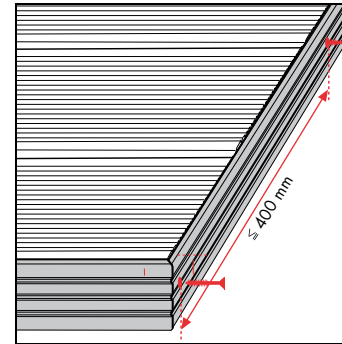
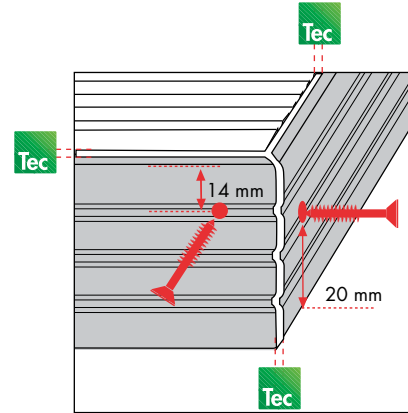
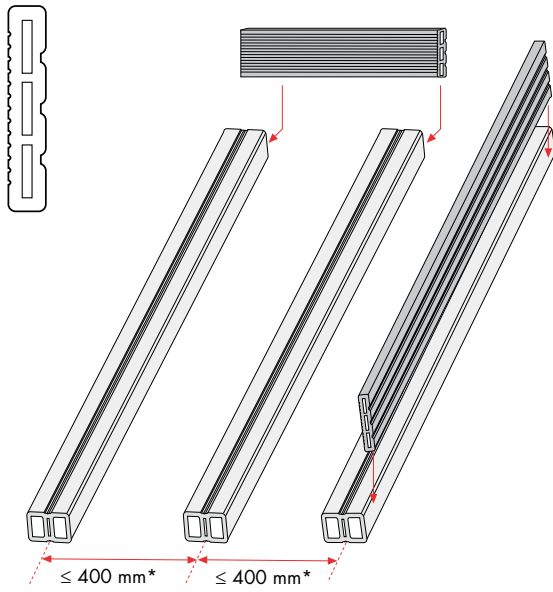
Scr



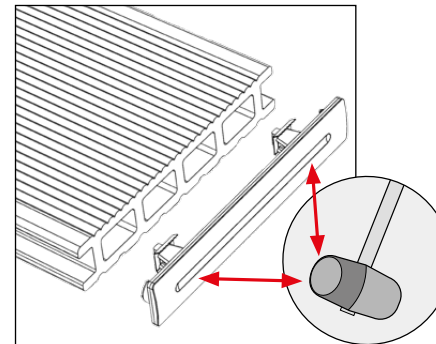
! 1 1x in the middle of each board



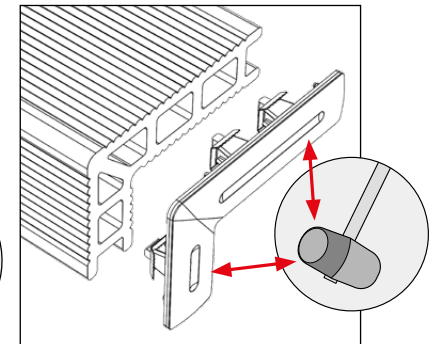
FINISHING
COVER STRIP



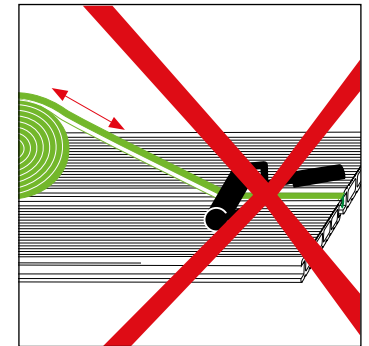
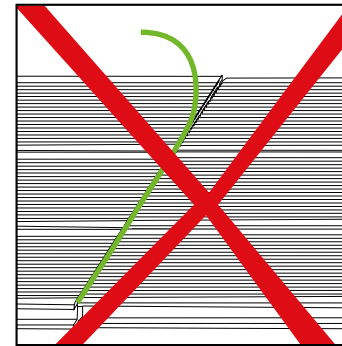
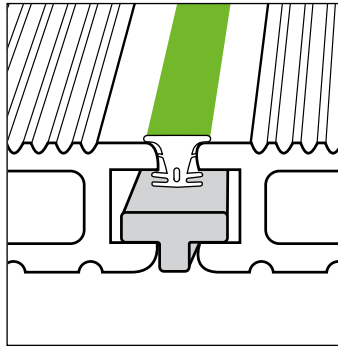
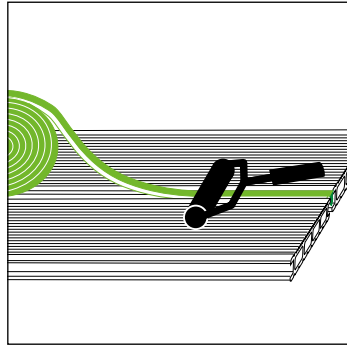
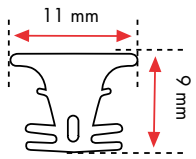
UPM PROFI DECK 150
END CAP



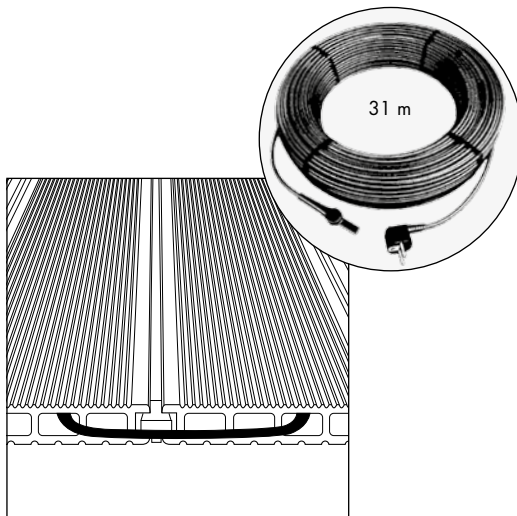
UPM PROFI DECK 150
RAIL STEP END CAP



RUBBER STRIP



UPM PROFI DECK 150 HEATING CABLE



UPM Kymmene Corporation reserves the right to change and amend the information contained in this brochure at any time. The information contained in this document was correct at time of publication. For the most update version, please visit www.upmprofi.com